

KLIMA-FLEX 1 METAL HANDLE



Metal HVAC handles is part of Industrilas Klima-flex™ system for HVAC applications. The Klima-flex system is designed for quick and easy mounting of the handles on site. The Klima-flex system is designed for quick and easy mounting of the handles on site. The metal handle is available as a non-locking zinc die cast handle with black powder coat and is designed to fit K1 latching units (Index Code 2-311 and 2-316). Upon request, the handle can be modified to fit K2-latching units as well (Index Code 2-315c).



MATERIAL

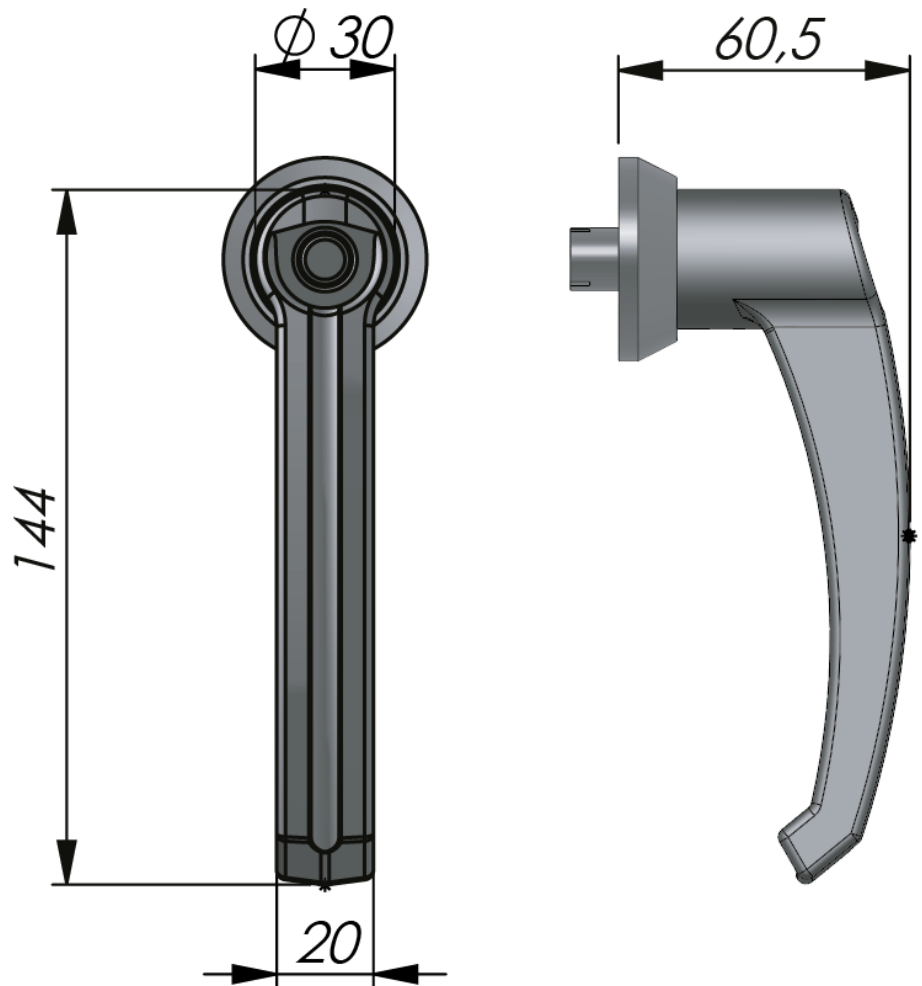
Cover plug: Glass fibre reinforced polyamide (PA6GF30)
Screw: Steel, zinc plated
Handle: Zinc die cast, black powder coated

RELATED PRODUCTS

Latching units: 2-311ab, 2-311cd, 2-316a, 2-316b
Roller cams: 2-312ab, 2-312cd
Interlink rods: 2-313a
Rod links: 2-313b
Safety catches: 2-314
Keys: 2-372, 2-370
 Use the Index Code at industrilas.com

TECHNICAL INFORMATION

Standards: VDI 6022



Industrilas
 — When access counts —

P/N	Description
261676-00	Klima-Flex 1 Metal Handle